

MOTOR SUPPRESSOR

RC, 3x575VAC/5,5kW

3× 400 V AC

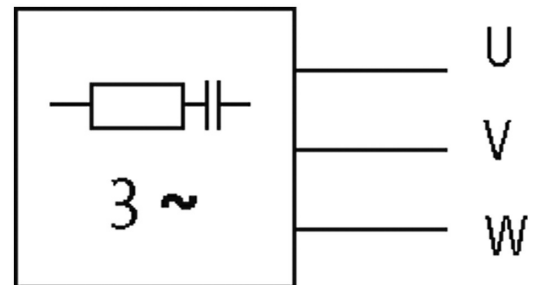
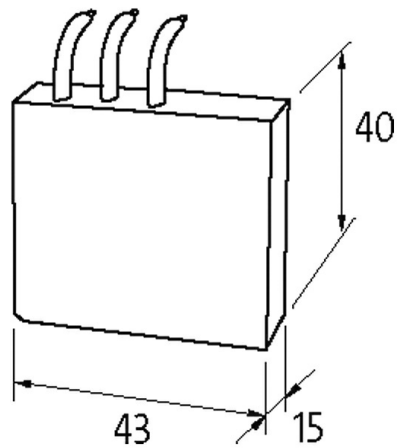
3× 575 V AC

RC

Suppressors for other voltages, frequencies, and motor ratings available on request. Do not use RC motor suppressors with frequency inverters.

Illustration

stay connected



RC

Product may differ from Image

Approvals



Appropriate contactors

Siemens 3 RT 10, 3 RT 20 screw terminal

General data

Connection	Screw terminals
Mounting method	DIN-rail mountable TH35 (EN 60715)
Temperature range	-20...+60 °C
Dimensions H×W×D	40×43×15 mm

Technical Data

Frequency	50...60 Hz
Material	Flame retardant plastic acc. to (UL 94)
Potting compound	2-component epoxy

Commercial data

country of origin	CZ
customs tariff number	85363010
EAN	4048879015448
eClass	27371013
Packaging unit	1